

Original BMW Accessories. Installation Instructions.



Retrofit - Roller sun blind for rear window BMW 3-Series Saloon (E90) BMW 3-Series Touring (E92)

Retrofit kit No.: 51 46 0 398 487 Roller sun blind for rear window
51 46 0 419 046 Roller sun blind for rear window

Installation time

The installation time is approx. 2.0 hours, but may vary depending on the condition of the car and the equipment in it.

Important information

These installation instructions are primarily designed for use within the BMW dealership organisation and by authorised BMW service companies.

In any event, the target group for these installation instructions is specialist personnel trained on BMW cars with the appropriate specialist knowledge.

All work must be completed using the latest BMW repair manuals, circuit diagrams, servicing manuals and work instructions, in a rational order, using the prescribed tools (special tools) and observing current health and safety regulations.

To avoid unnecessary extra work and/or costs, if any installation or function problem occurs, after a brief troubleshooting session (approx. 0.5 hours), please contact the following:


- 1. Either your national subsidiary or your regional office or**
- 2. the Support team via the Aftersales Assistance Portal (ASAP) using the optional technical parts support application.**

Specify the chassis number and the part number of the installed retrofit kit and give a precise description of the problem.

Do not archive the hard copy of these installation instructions since daily updates are made by ASAP!

All pictures show LHD cars; proceed accordingly on RHD cars.

Pictograms:

 Denotes instructions that draw your attention to special features.

◀ Denotes the end of the instruction or other text.

Subject to technical modifications.

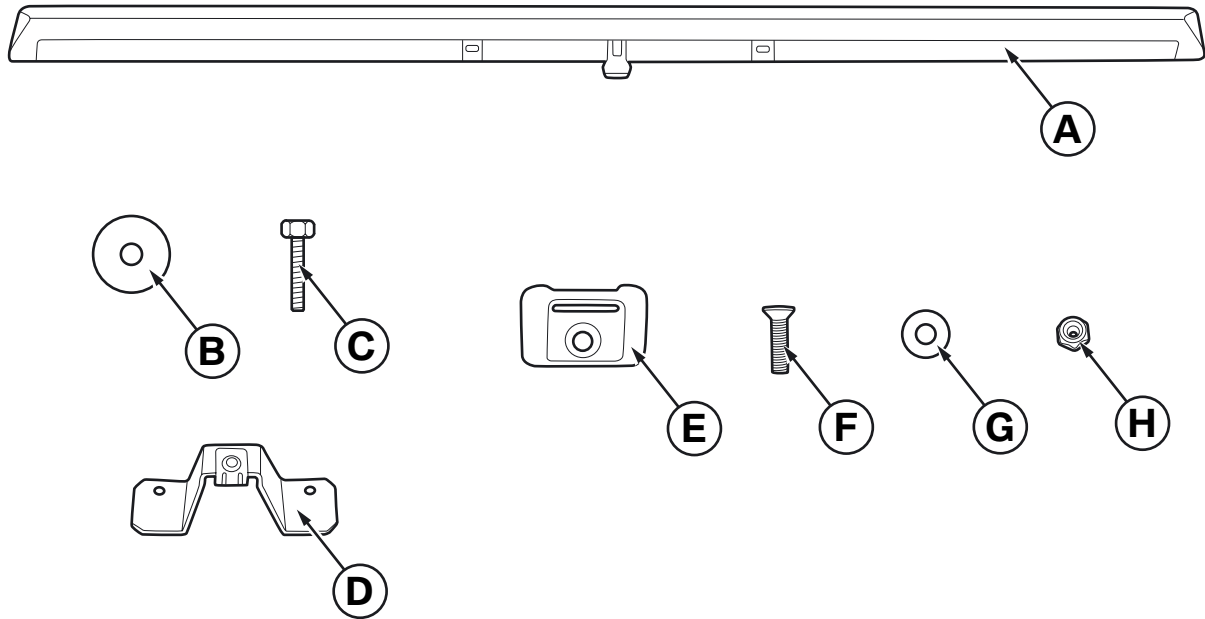
Special tools required

None

Contents

Section	Page
1. Parts overview	3
2. Preparatory work	4
3. Installation	5
4. Concluding work and coding	8

1. Parts Overview



090 0073 V

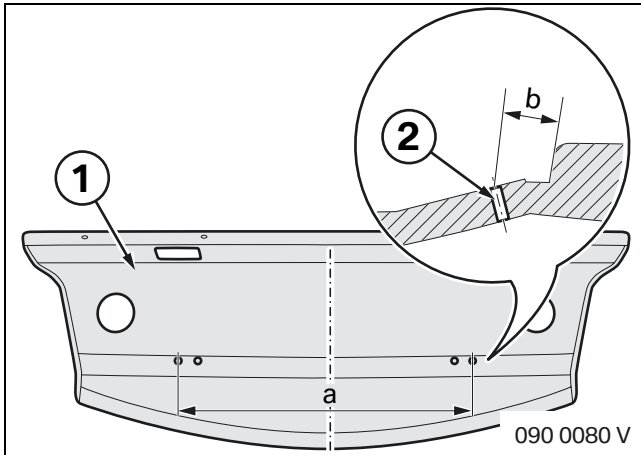
Legend

- A Roller sun blind
- B Washer M6.4x19x1 (2x)
- C Hexagon head screw M6x20 (2x)
- D Mounting bracket for rear window shelf (2x)
- E Mounting bracket for roller sun blind (2x)
- F Countersunk screw M4x12 (2x)
- G Washer M4.3x16x1 (6x)
- H Self-locking nut M4 (6x)

2. Preparatory work

	TIS No.
Perform quick test	---
Disconnect negative terminal of battery	12 00 ...
Remove the following components	
Roof pillar trim panel, rear left and right	51 43 251
Mid-range loudspeaker, rear	65 13 188
Side section of backrest	52 26 008
Top Tether eyelets for child seat	72 14 ...
Rear window shelf	51 46 001
Cover for auxiliary brake light	63 25 000
Only for E90:	
Rear seat	52 24 005
Seat backrest (only on vehicles without through-loading system)	52 24 010
Seat belts, rear left/right	72 11 092
Rear centre seat belt	72 11 101
Trim cover on rear window shelf	51 46 ...
Only for E92:	
Seat belt cover	51 46 ...

3. Installation



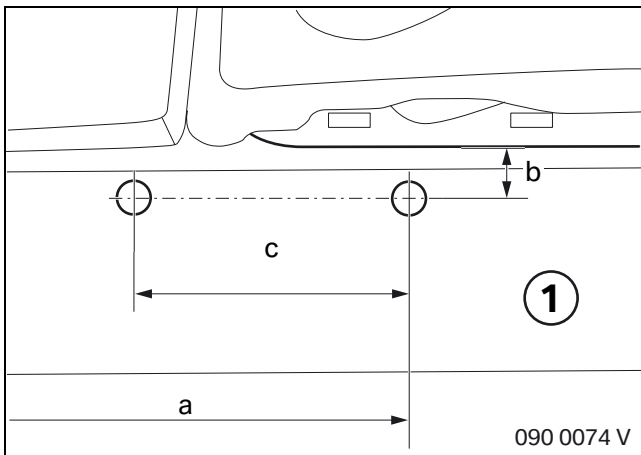
Only for E90:

Mark dimension a centred on back of rear window shelf (1).

Mark dimension b for the holes (2) from the edge of the loudspeaker recess (also see following illustration).

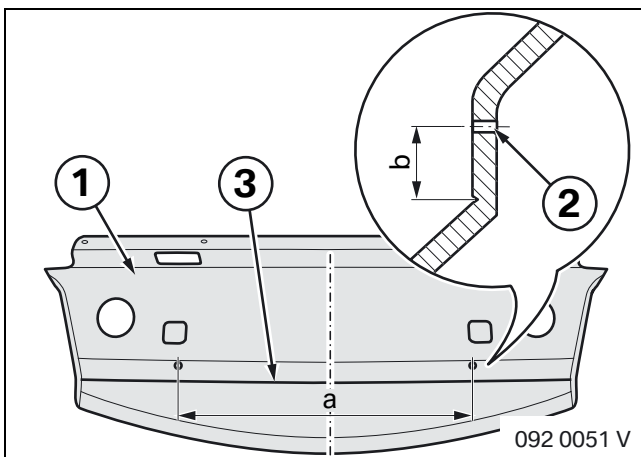
a = 825 mm

b = 15 mm



With the aid of dimensions a, b and c, drill \varnothing 4.2 mm holes in the rear window shelf (1).

c = 87 mm



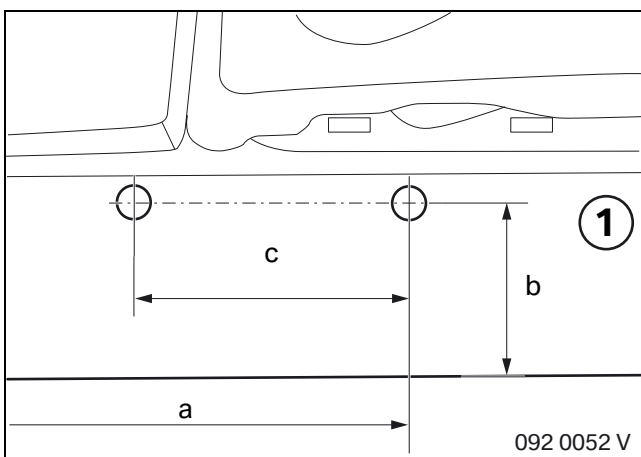
Only for E92:

Mark dimension a centred on back of rear window shelf (1).

Mark dimension b for the holes (2) from the edge (3) of the loudspeaker recess (see also following illustration).

a = 825 mm

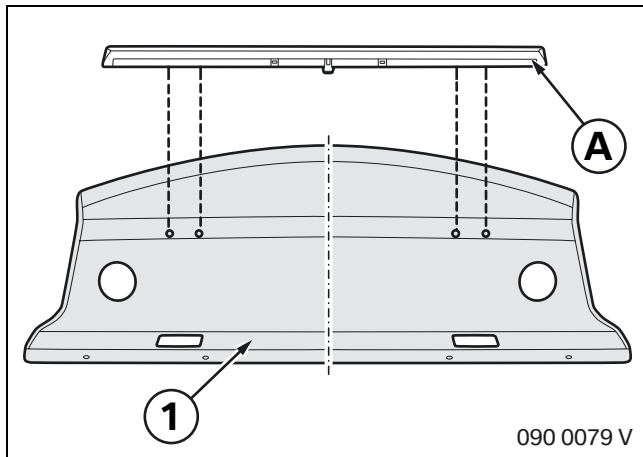
b = 40 mm



With the aid of dimensions a, b and c, drill \varnothing 4.2 mm holes in the rear window shelf (1).

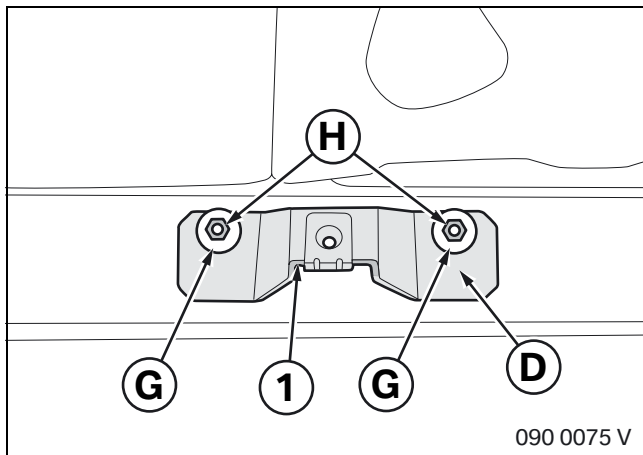
c = 87 mm

3. Installation



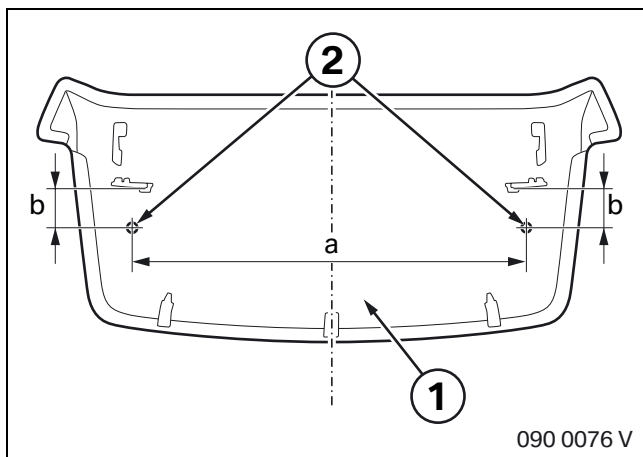
For all vehicles:

Fit roller sun blind **A** together with the screws from above in the holes in the rear window shelf (1).



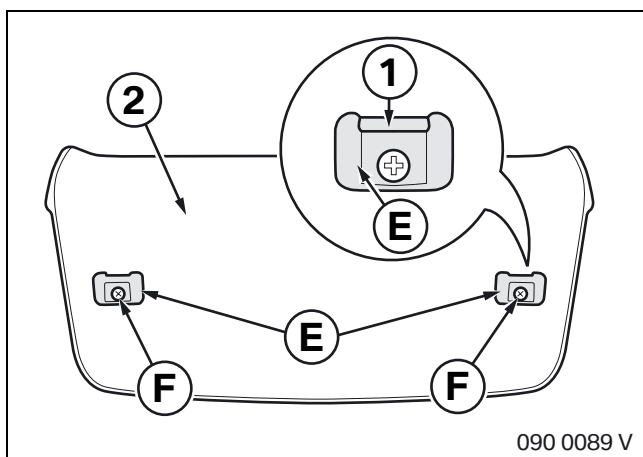
Fit bracket for rear window shelf **D** onto the screws on the underside of the rear window shelf with recess (1) facing towards the rear. Lightly secure roller sun blind **A** with washers **G** and nuts **H**.

Centrally align roller sun blind **A** and firmly tighten nuts **H**.



Mark dimension **a** centred on the inside of the cover for the auxiliary brake light (1).

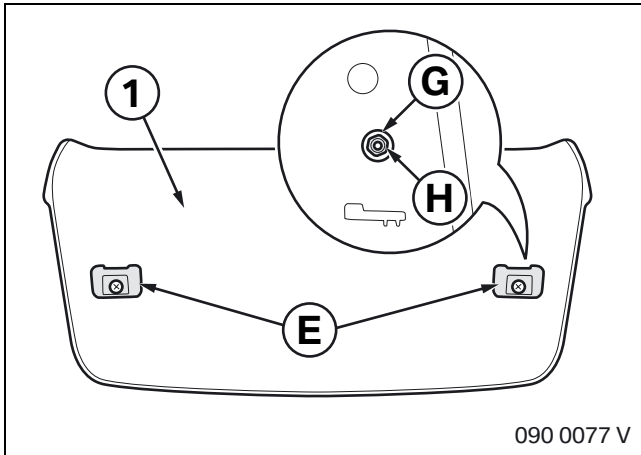
With the aid of dimensions $a = 250$ mm and $b = 27$ mm, drill $\varnothing 4.2$ mm holes (2) in the cover for the auxiliary brake light (1) and debur.



▶ The retaining edge (1) of the bracket for the roller sun blind **E** must be aligned with the auxiliary brake light cover (2) as illustrated. ◀

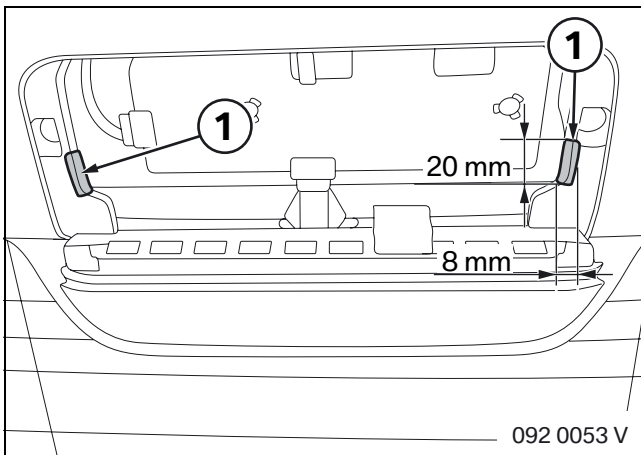
Fit the bracket for the roller sun blind **E** with screw **F** on the outer side of the auxiliary brake light cover (2).

3. Installation



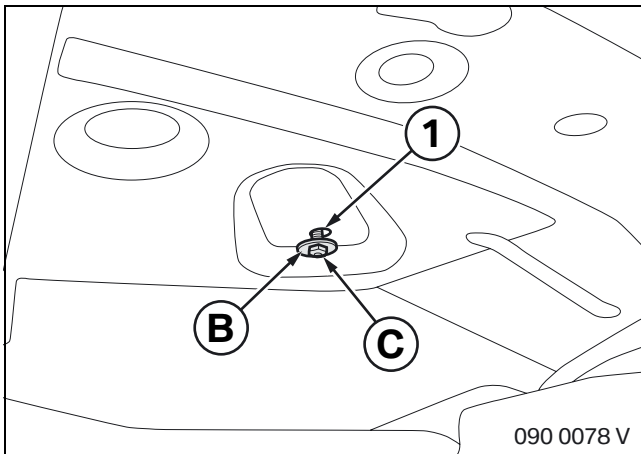
Align bracket for roller sun blind **E** so that it is straight.

Firmly secure bracket for roller sun blind **E** with washer **G** and nut **H** to the auxiliary brake light cover (1).



Only E92:

Cut away sections (1) in the frame of the auxiliary brake light cover with the dimensions stated.



For all vehicles:

Working from the interior, remove the prepunched foam material above hole (1).

Install rear window shelf as described in TIS No. 51 46 001.

Working from the luggage compartment, fit screw **C** through washer **B** and hole (1) and secure rear window shelf to bracket **D**.

4. Concluding work and coding

The retrofit system does not require encoding.

- Reassemble vehicle in reverse order of removal.
- Reconnect vehicle battery
- Perform quick test
- Check operation of roller sun blind