



# Installation Instructions

Page 1 of 8

September 2005

Communication, Satellite Radio

Ver 2.0

Accessory  
Development

---

*These installation instructions supercede all previous versions.*

## **SUBJECT**

**SIRIUS RETROFIT KIT - P/N 65 11 0 406 351**

## **MODEL**

3 Series Sedan (E90):	Select Vehicle Production 03/05 – On*
3 Series Sports Wagon (E91):	Select Vehicle Production 09/05 – On*

\* Vehicle must have optional Satellite Radio Preparation (SA 693).

**SUGGESTED INSTALLATION TIME:      1.0 – 1.5 HOURS\*\***

\*\* Suggested installation time includes re-coding of the vehicle only for this retrofit kit. This time is based on a vehicle that is at the current software level and does not require any updates. Before installing this accessory into the vehicle, the vehicle should be connected to the DIS and checked for software updates. If updates are available the vehicle should be programmed prior to installing this accessory. Total installation time may vary depending on vehicle options and equipment.

*Please refer to SI B09 05 01 for latest BMW approved Retrofit coding procedures.*

The instructions below are developed for BMW vehicles and are not to be compared to any other existing instructions for vehicles other than BMW. No methods other than those specified in this document are to be used for installation in BMW vehicles. Left and right are determined from the driver's seat.

Carefully read all instructions and supplements before proceeding with the installation. Reference should be made to TIS for instructions dealing with a stock part of the vehicle but not stated in detail in these instructions.

The instructions were complete and up to date at time of publication; however, changes to the vehicle or installation may have occurred. Please report any problems or changes noted with the installation to BMW Technical Hotline, along with VIN, date of manufacture and as much detail as possible.

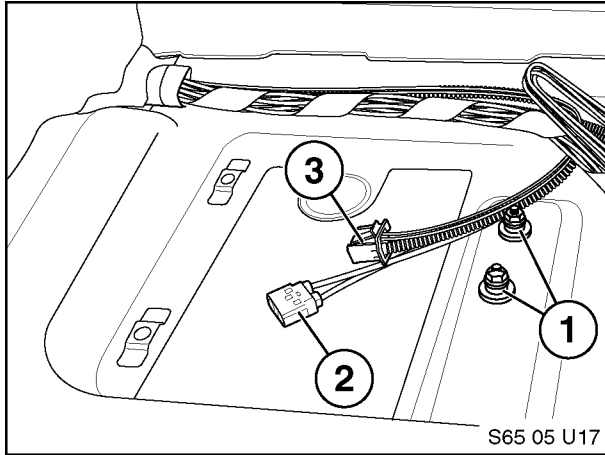
**★ ★ DO IT RIGHT THE FIRST TIME, ON TIME, EVERY TIME ★ ★**

**PARTS INFORMATION****Contents of Kit - P/N 65 11 0 406 351**

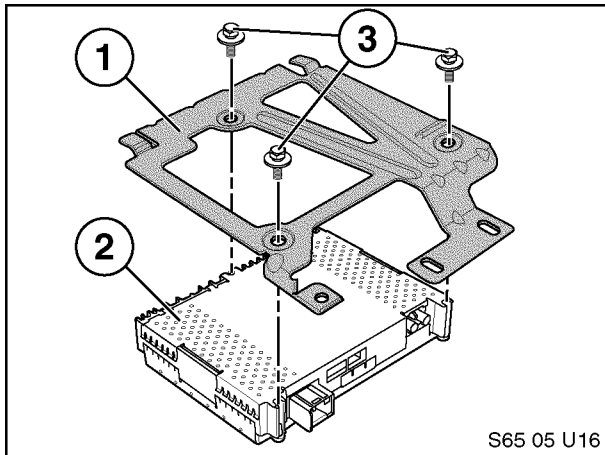
<b>Description</b>	<b>Qty</b>	<b>BMW Part Number</b>
Bracket	1	65 12 6 927 699
Hex Nut	2	41 24 8 147 832
Hex Bolt	3	07 11 9 902 932

**ADDITIONAL REQUIRED PARTS**

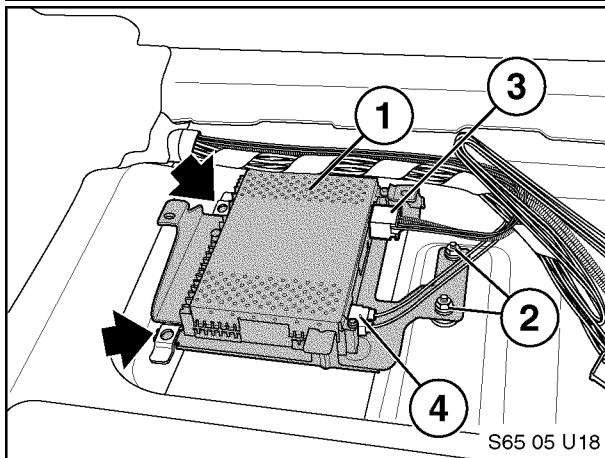
Sirius Receiver	65 12 6 948 064
-----------------	-----------------

**Procedure:**

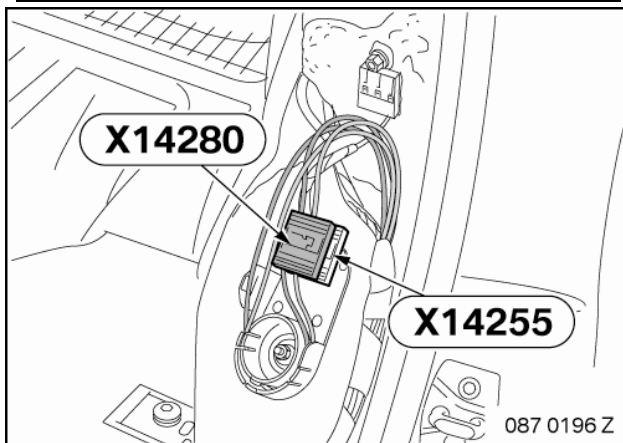
1. Disconnect battery.
2. Remove trunk floor panel.
3. Remove two Hex bolts (1) and locate the Sirius antenna (2) and power/MOST (3) connectors.



4. Mount Sirius receiver (2) to bracket (1) using three Hex bolts (3) as shown.

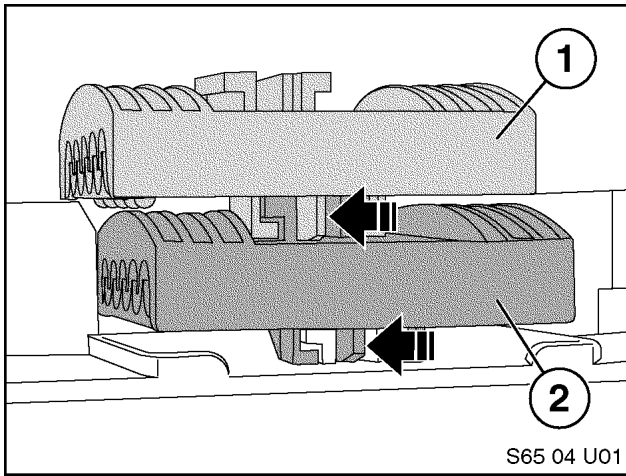


5. Connect the Sirius antenna (4) and power/MOST connectors (3) into the Sirius receiver (1).
6. Slide bracket assembly into the tabs in the trunk floor as shown and secure with two Hex nuts (2).



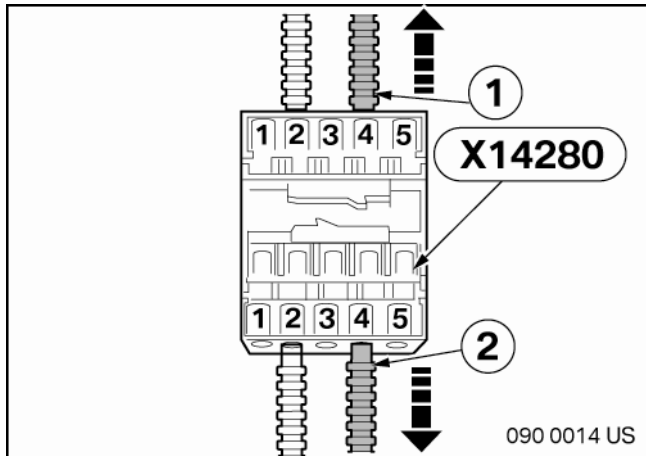
7. Fold down drivers side rear seat backrest, if equipped, and remove left backrest part to access MOST junction blocks X14280 and X14255.

**Note:** For vehicles without optional fold down rear seats (SA 465), rear seat backrest must be removed to access junction blocks.



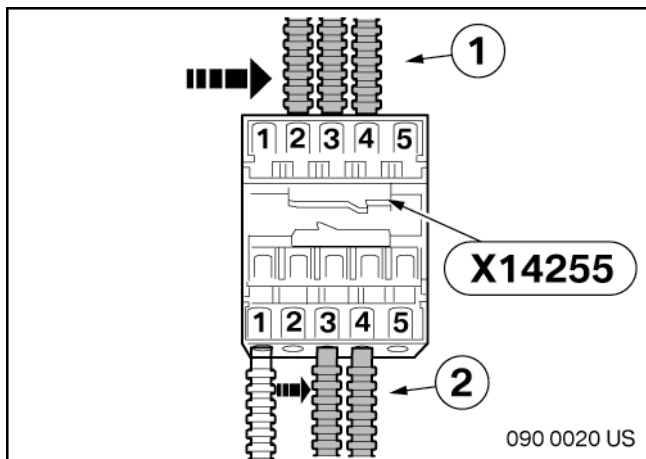
8. Separate upper black junction block (1) from lower black junction block (2) by pushing locking tab (black arrow) to the left and sliding upper block rearward.
9. Separate lower junction block (2) from plastic mounting bracket by pushing locking tab (black arrow) to the left and sliding block rearward.

*Fiber optic cables not shown in illustration S65 04 U01*



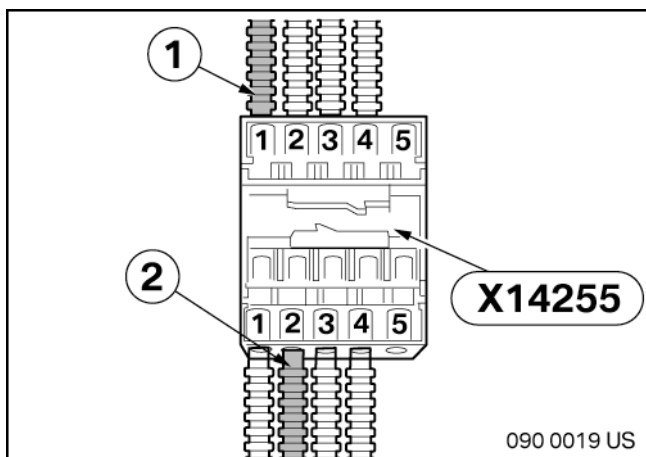
**Warning: Label all fiber optic cables removed and/or relocated during this installation including position location and orientation (input vs. output) to avoid MOST ring errors.**

10. Unlock the cover caps from the MOST-bus junction blocks with the aid of a small flat head screwdriver.
11. Remove the satellite receiver (SDARS) fiber optic cables (1 & 2) from **Position 4** of the upper black junction block **X14280** with the aid of a small flat head screwdriver.



**Note: The number of fiber cables connected to MOST junction block X14255 may differ than shown, depending on vehicle options.**

12. Remove the fiber optic cable/s (1) from slot/s **PIN 1- 4** of the upper side of distribution block **X14255** and connect it to nearby slot/s **PIN 2- 5**.
13. Remove the fiber optic cable/s (2) from slot/s **PIN 2- 4** of the lower side of distribution block **X14255** and connect it to nearby slot/s **PIN 3- 5**.



14. Connect the SDARS fiber optic cable (1) removed from junction block X14280 in Step 11 into the empty slot **Position 1** of junction block **X14255**.
15. Connect the SDARS fiber optic cable (2) removed from junction block X14280 in Step 11 into slot **Position 2** of junction block **X14255**.

**Note: The number of fiber cables connected to MOST junction block X14255 may differ than shown depending on vehicle options.**

16. Lock the cover caps onto the upper and lower black junction blocks and re-secure both junction blocks to the plastic bracket.
17. Re-connect battery and re-install all components removed during installation.

**Installation is complete.**

**Proceed to Retrofit Coding and then Activation Procedure to finalize Sirius vehicle retrofit.**

**RETROFIT CODING**

**Note: Please refer to SI B09 05 01 for latest CIP retrofit procedure before starting vehicle coding.**

Retrofit Sirius Receiver using Progman CIP 19.x or later

*Follow approved CIP Retrofit procedures until Retrofit selection appears then:*

Select **Retrofits**

Again Select **Retrofits**

Select **SDARS**

Select **Added**

Informational page displays "Retrofitting SDARS selected. The vehicle order is changed during sequence".

Select **CONTINUE**

Tester will automatically determine measures plan for encoding 655 (SDARS) and will be added to vehicle order.

Select **ACCEPT**

Select **START** to execute measures plan

Upon completion of SDARS retrofit coding conduct functional test of the Sirius Receiver.

**Proceed to Activation Procedure**

**ACTIVATION PROCEDURE**  
**SIRIUS SATELLITE RADIO FOR E90/E91 WITHOUT NAVIGATION**

Step 1: Locate vehicle outside so that the roof with has a clear **Line-of-Sight** to the sky. Make sure that vehicle is located at a distance greater than 10 feet from nearest building. (Do not place vehicle under a tree or other solid structure.)

*Note: For BMW Centers located in downtown cities such as NYC or LA, it may not be necessary to locate vehicle outside. In this case, locate vehicle near window or other area with adequate signal strength to receive Sirius signal and activate receiver. Please consult your Sirius representative for signal coverage in your area.*

Step 2: Select key position 1. (**KL-R**)

Step 3: Turn radio ON.

Step 4: Press **Audio** button and select **SAT** radio mode.

Step 5: “**SIRIUS**” should be briefly displayed on the radio and then “**Preview CH184**” should be displayed. **Channel 184 should be available on every new receiver and was designed to allow technicians to confirm Sirius receiver functionality before initial activation.**

Step 7: If “**Preview CH184**” is displayed and audio is functioning correctly, proceed to step 10.  
If not, go to next step.

*Step 8: If “**Preview CH184**” is not available, turn key OFF, wait @5 minutes for MOST bus to RESET, and repeat Steps 2 - 4.*

*Step 9: Allow receiver to update information. (Approx. 30 seconds) Audio should now be heard under “**Preview CH184**” channel. Channel 184 should be the only available channel.*

Step 10: Contact Sirius to activate the receiver. The **12-digit Sirius Receiver ESN** can be found on the Sirius receiver or be displayed on the radio by pressing and holding the **SAT** button until “Call Sirius” and “Phone: 1-888-539-SIRIUS” is displayed. Use right hand side rotary knob of radio to scroll down and display “**ESN:**” of Sirius receiver.

Step 11: After Sirius Customer Service Representative activates receiver, it will take approximately 5 minutes or less for signal to reach the vehicle. Leave radio in Sirius Satellite mode with “Preview” displayed and key in KL-R position for approximately 5 additional minutes in order to successfully download all initial satellite information.

Step 13: Select **CAT**. A list of available categories will appear. Using the right hand side rotary knob of the radio, select a category such as “NEWS” and the list of all channels in this category is displayed. If a receiver is activated correctly all channel names/numbers will be selectable and will **NOT** have “**(unsubscribed)**” displayed next to the channel name. If receiver is activated under a censored plan such as **Family Package** certain channels containing objectionable material will continue to display “**(unsubscribed)**” next to these censored channels. Please refer to Radio Owner’s Manual for additional Sirius Satellite Mode functionality and features.

**ACTIVATION COMPLETE**

**ACTIVATION PROCEDURE**  
**SIRIUS SATELLITE RADIO FOR E90/E91 WITH NAVIGATION**

Step 1: Locate vehicle outside so that the roof with has a clear **Line-of-Sight** to the sky. Make sure that vehicle is located at a distance greater than 10 feet from nearest building. (Do not place vehicle under a tree or other solid structure.)

*Note: For BMW Centers located in downtown cities such as NYC or LA, it may not be necessary to locate vehicle outside. In this case, locate vehicle near window or other area with adequate signal strength to receive Sirius signal and activate receiver. Please consult your Sirius representative for signal coverage in your area.*

Step 2: Select key position 1. (**KL-R**)

Step 3: From Main Menu, select **Entertainment** option using iDrive.

Step 4: Select **SAT** option on top of screen.

Step 5: Select **All Channels**. A list of available channels will appear. If a receiver is not yet activated none of the channels will be checked (✓) except **CH 184 Preview**. Scroll down channel listing and select channel 184 to confirm it is available and audio is heard. **Channel 184 should be available on every new receiver and was designed to allow technicians to confirm Sirius receiver functionality before initial activation.**

Step 7: If "**CH 184 Preview**" is displayed and audio is functioning correctly, proceed to step 10. If not, go to next step.

*Step 8: If "**CH 184 Preview**" is not available, turn key OFF, wait @5 minutes for MOST bus to RESET, and repeat Steps 2 - 4.*

*Step 9: Allow receiver to update information. (Approx. 30 seconds) Audio should now be heard under "**CH 184 Preview**" channel. Channel 184 should be the only available channel.*

Step 10: Contact Sirius to activate the receiver. The **12-digit Sirius Receiver ESN** can be found on the Sirius receiver or by selecting an unchecked channel (such as CH 001). ESN will be displayed on screen if an unchecked channel is selected.

Step 11: After Sirius Customer Service Representative activates receiver, it will take approximately 5 minutes or less for signal to reach the vehicle. Leave radio in Sirius Satellite mode with "Preview" displayed and key in KL-R position for approximately 5 additional minutes in order to successfully download all initial satellite information.

Step 12: Turn KEY OFF. Wait approximately 5 minutes for receiver to reset, and repeat Steps 2 - 4.

Step 13: Select **All Channels**. A list of available channels will appear. If a receiver is activated correctly all channel numbers will include a check mark (✓). If receiver is activated under a censored plan such as Family Package certain channels containing objectionable material will remain unchecked. Please refer to Vehicle Owner's Manual for additional Sirius Satellite Mode functionality and features.

**ACTIVATION COMPLETE**