

Original BMW Accessories. Installation Instructions.



BMW Performance Power Kit Retrofit

BMW 1 Series (E82, E88)

BMW 3 Series (E90, E91, E92, E93)

**These installation instructions are only valid for 135i, 335i and 335ix cars.
On US cars only in conjunction with SA 840 (high-speed tuning).**

Retrofit kit number

11 12 2 219 489	BMW Performance Power Kit with FSC Retrofit Kit
11 12 2 219 488	BMW Performance Power Kit with FSC Retrofit Kit
11 12 2 219 487	BMW Performance Power Kit with FSC Retrofit Kit

Installation time

The installation time is **approx. 0.25 hours**. This may vary depending on the condition of the car and the equipment in it.

The installation time specified does not include the time spent on programming/coding.

The calculation of the total costs for the programming time must be factored into the calculation of retrofitting costs (no invoicing via warranty).

Important information

These installation instructions are primarily designed for use within the BMW dealership organisation and by authorised BMW service companies.

In any event, the target group for these installation instructions is specialist personnel trained on BMW cars with the appropriate specialist knowledge.

All work must be completed using the latest BMW repair manuals, wiring diagrams, servicing manuals and work instructions, in a rational order, using the prescribed tools (special tools) and observing current health and safety regulations.

In the event of any installation or functional problems, restrict the troubleshooting session to about 0.5 hours for mechanical work or 1 hour for electrical work.

To avoid unnecessary extra work and/or costs, an inquiry is to be sent straight away to the technical parts support via the After Sales Assistance Portal (ASAP).

Quote the following information:

- Chassis number,
- Retrofit kit part number,
- A detailed description of the problem,
- Any work already carried out.

Do not archive the hard copy of these installation instructions since daily updates are made via ASAP!

Pictograms



Denotes instructions that draw your attention to special features.

◀ Denotes the end of the instruction or other text.

Ordering instructions

Spark plugs **H** are not supplied with the retrofit kit and must be ordered separately for cars built before 3/09 or with more than 60,000 km/45,000 miles on the clock (for part numbers and instructions, see EPC).

Activation code

The activation code (FSC) is available for downloading via ASAP, see the section entitled "Concluding work".

Workshop certificate

Print out the "Workshop certificate" section at the end of the installation instructions, fill it in and give it to the customer.

Parts reports (for German-speaking countries only)

Print out the "Parts reports" section at the end of the installation instructions and give it to the customer.

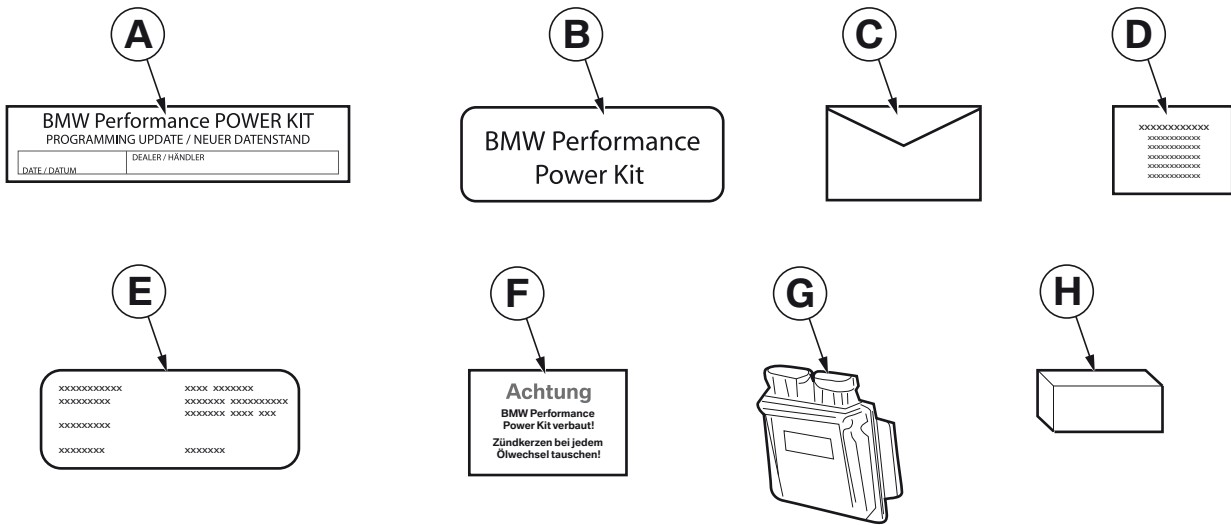
Special tools required

None

Table of contents

Section	Page
1 Parts list for retrofit kit	4
2 Affixing the sticker	5
3 Concluding work	7
Workshop certificate	8

1. Parts list for retrofit kit

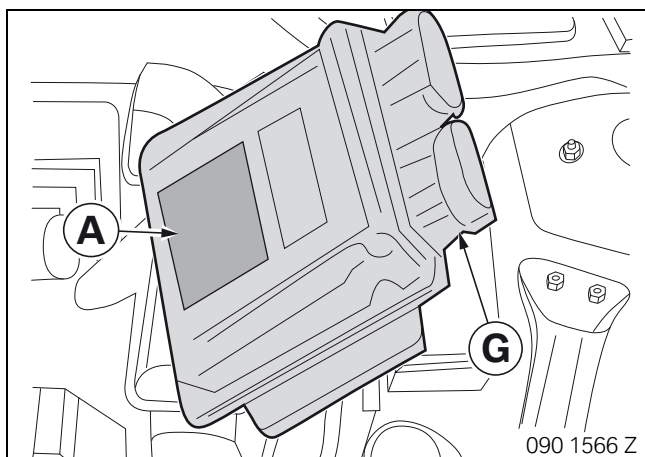


090 1561 Z

Legend

- A** Engine control unit sticker
- B** BMW Performance emblem
- C** Release code certificate (in red envelope)
- D** Information label regarding aluminum screws
- E** ARB EO# label (US cars only)
- F** Service sticker (for cars built before 3/09 only)
- G** MSD engine control unit 81 (only for cars with MSD 80)
- H** Spark plugs (6 x, only for cars built before 3/09 or with more than 60,000 km/45,000 miles on the clock, not supplied with the retrofit kit)

2. Affixing the stickers



Only for cars with N54 engine and MSD 80

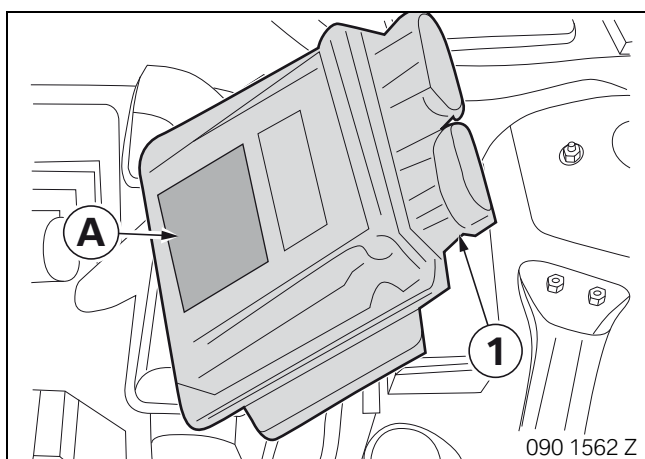
▶ Clean the surface to be glued. ◀

Replace engine control unit MSD 80 with engine control unit **G** (see ISTA 12 14 550).

Enter the dealership and date on the engine control unit sticker **A**.

Stick engine control unit sticker **A** onto engine control unit **G**.

Install the engine control unit (1).



Only for cars with N54 engine and MSD 81

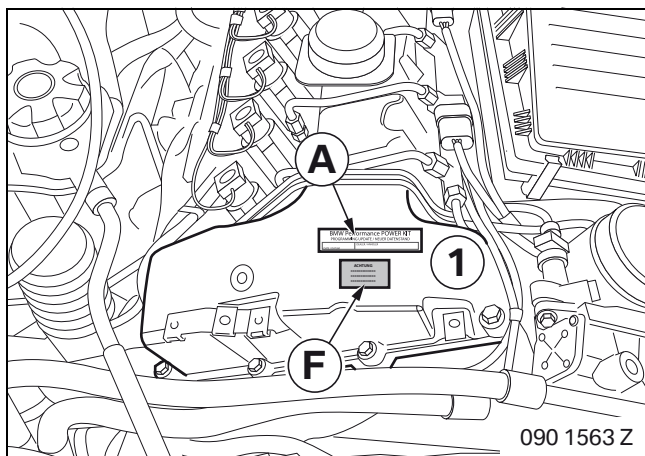
▶ Clean the surface to be glued. ◀

Release the engine control unit (1) without disconnecting the plug (see ISTA 12 14 550).

Enter the dealership and date on the engine control unit sticker **A**.

Stick engine control unit sticker **A** onto the engine control unit (1).

Install the engine control unit (1).



Cars with N55 engine only

▶ Clean the surfaces to be glued. ◀

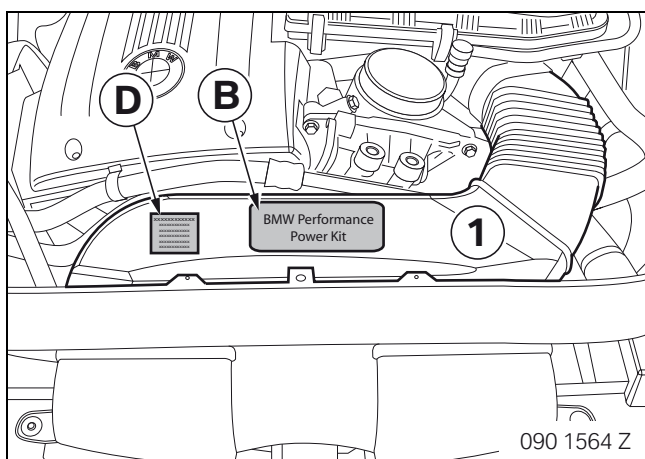
Enter the dealership and date on the engine control unit sticker **A**.

Stick engine control unit sticker **H** onto the cylinder head cover.

Cars built before 3/09 only

▶ Clean the surfaces to be glued. ◀

Install spark plugs **H** (see ISTA 12 12 011) and stick service sticker **F** onto the cylinder head cover (1).



All cars

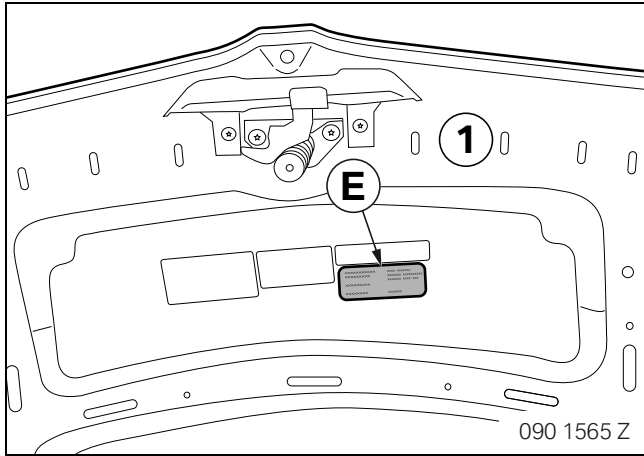
▶ Clean all the surfaces to be glued. ◀

Remove the existing information label regarding aluminium screws from the air guide (1) (it is no longer needed).


Stick emblem **B** in the middle of the air guide (1).

Stick the new information label regarding aluminium screws **D** on left next to emblem **B**.

2. Affixing the stickers



For US cars only

 Clean the surface to be glued. ◀


Stick ARB EO# label **E** onto the hood (1) as shown.

3. Concluding work

The retrofit system requires coding.


Requesting the release code

- Remove the release code certificate **C** from the red envelope.
- Log into the ASAP portal.
- On the "Service/Technology" page, open the "Sweeping Technologies" menu and menu item "Request Tuning Kit FSC".
- In the "Chassis number" field, enter the last seven digits of the chassis number.
- In the "SN" field, enter the serial number and in the "Key" field enter the alphanumeric combination from the release code certificate.


 Be aware that your entries are case-sensitive.
If you enter the data incorrectly 10 times, the certificate will be blocked. ◀

- Then click the "Request" button. Once the release code has been generated, you will automatically be forwarded to the "Download release codes" area.
- Store the release code on a suitable medium and keep it handy for the programming process.

Programming/coding

 The retrofit must be carried out with ISSS (use the latest software version!) ◀

- Connect the car with the ISSS using ICOM. Vehicle identification begins automatically.
- Confirm the control unit replacement with "No".
- After identification, switch to the "Vehicle" menu and then select the tab "Conversions".
- Select the conversion performed and click "Determine action plan" below.
- Select "Accept action plan".
- Then follow the instructions.
- After programming, carry out a vehicle test and observe the instructions in the follow-on work list.

 If the action "Disable DME/DDE" action should appear in the concluding report, always change the terminals.
After changing the terminals, continue with the standard diagnostic process (continue with the car test) and delete any error memory entries. You must ensure that no error memory entries are still present. ◀

- Re-fit the car components as required

Workshop certificate

Print out the "Workshop certificate" section at the end of the installation instructions, fill it in and give it to the customer.

Workshop certificate

**BMW Performance
Power Kit**

This is to confirm that the BMW Performance Power Kit
11 12 2 219 489 BMW Performance Power Kit with FSC Retrofit Kit or
11 12 2 219 488 BMW Performance Power Kit with FSC Retrofit Kit or
11 12 2 219 487 BMW Performance Power Kit with FSC Retrofit Kit
has been completely installed on the car identified below.
No additional components have been converted or retrofitted.

Car type: BMW 135i (E82/E88)
BMW 335i (E90/E91/E92/E93)

Vehicle identification no.:.....

Vehicle owner
Name and address:
.....
.....
.....
.....

.....
Place, date

.....
Signature of person responsible

Dealership (company name/stamp)