



This Service Information bulletin supersedes SI B63 02 08 **dated October 2009**.

**NEW** designates changes to this revision

#### SUBJECT

#### Rear Bulb Failure

#### MODEL

E92 (3 Series Coupe) vehicles produced up to May 30, 2009

#### SITUATION

The "bulb out" warning shows in the instrument cluster. Diagnosis shows a fault for the rear lamp.

#### CAUSE

The "bulb out" can be displayed for 2 possible causes:

- Poor fit between the bulb and bulb holder (old design bulb holder)
- Bulb failure caused by vibration (new design bulb holder)

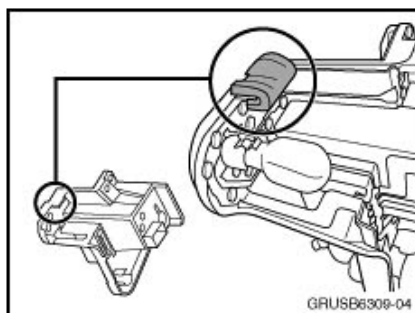
#### CORRECTION

Remove the bulb holder - refer to REP 63 21 055 (Replacing a socket housing for left or right rear light [side panel]).

Check the date code label on the bulb holder housing (date code format dd.mm.yy).

For bulb holders produced **before** date code 21.01.08:

- Replace the complete bulb holder housing with an updated part. The replacement part is supplied complete with bulbs.



- **NEW** Before installing the new part, apply a foam rubber anti-vibration strip as shown.
- Install the bulb holder in the vehicle.

For bulb holders produced **after** date code 21.01.08:

- Do not replace the bulb holder. Replace any failed bulbs.
- **NEW** Apply the anti-vibration strip as described above before reinstalling the bulb holder.

Note 1: All bulb holders on vehicles up to May 30th, 2009 must have the anti-vibration strip applied before the bulb holder is installed in the vehicle.

Note 2: A modified seal with a foam-rubber web is fitted from June 1st, 2009. The seal with the foam-rubber web acts as a vibration damper for the bulb holder.

#### PARTS INFORMATION

Part Number	Description	Quantity
63 21 7 174 407	Bulb holder with bulbs (Left)	1 (if necessary)
63 21 7 174 408	Bulb holder with bulbs (Right)	1 (if necessary)
63 21 7 160 935	12V 16W Toshiba bulb	as necessary
<b>NEW</b> 07 14 7 268 426	Foam rubber anti-vibration strip	1

**WARRANTY INFORMATION**

Covered under the terms of the BMW New Vehicle Limited Warranty or, the Certified Pre-owned program for the first bullet point only.

**Defect Code:**           **63 21 00 79 00**

<b>Labor Operation:</b>	<b>Labor Allowance:</b>	<b>Description:</b>
63 21 055*	Refer to KSD	Replacing one bulb holder housing

\*Main Work - use this labor operation number when this is the only repair being performed, or if this is the main repair when performed along with other repairs at the same time. If this is not the main repair, refer to KSD for the associated (+) labor operation code.

[ Copyright © 2009 BMW of North America, LLC ]