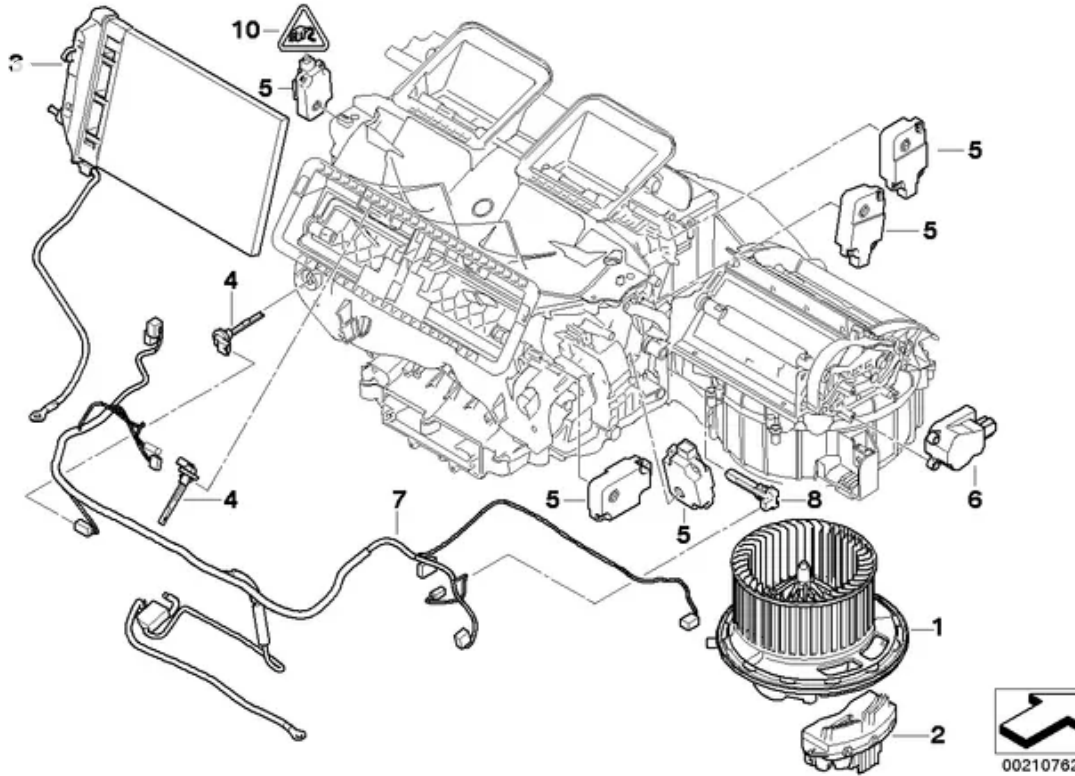


# 3' E90 330i Electric parts for AC unit

[Heater and Air Conditioning](#) > [Electric parts](#)



No.	Description	Supp.	Qty	From	Up To	Part Number	Price	Notes
	Info on installation, see repair instructions REP-64 11 213!							
01	Blower unit only in conjunction with		1			<a href="#">64119227670</a>		
--	Gasket		1			<a href="#">64116987460</a>		
02	Blower regulator		1		12/2011	<a href="#">64119266185</a>		ENDED
02	Blower regulator		1			<a href="#">64119265892</a>		
04	Temperature sensor		2			<a href="#">64226915391</a>	\$33.45	
05	Actuator		X			<a href="#">64119231884</a>		ENDED
05	Actuator		X			<a href="#">64119321034</a>		
	only suitable for heating/A/C Valeo							
06	Actuator		1			<a href="#">64119231884</a>		ENDED
06	Actuator		1			<a href="#">64119321034</a>		
	only suitable for heating/A/C Denso							
06	Actuator, fresh air recirc.		1		04/2014	<a href="#">64119263335</a>		ENDED
06	Actuator, fresh air recirc.		1			<a href="#">64119339246</a>		
07	Wiring set, heater/air conditioning	VALEO	1			<a href="#">64116941439</a>	\$54.07	
07	Wiring set, heater/air conditioning	DENSO	1			<a href="#">64116932680</a>	\$54.07	

**For vehicles with**

	Automatic air conditioning	S534A=No			
07	Wiring set, heater/air conditioning		1	<a href="#">64116932682</a>	
08	Temperature sensor, heater/evaporator		1	<a href="#">64116930015</a>	\$33.45
09	Universal DFK socket housing uncoded only in conjunction with	4 POL.	1	<a href="#">61136925196</a>	\$1.37
--	Double leaf spring contact	0,5-1,0 MM <sup>2</sup> (AG)	X	<a href="#">61138377730</a>	\$0.63
--	Double leaf spring contact	1,5-2,5 MM <sup>2</sup> (AG)	X	<a href="#">61138377732</a>	\$0.63
10	Socket housing only in conjunction with	4 POL.	5	<a href="#">61136925598</a>	\$0.70
--	Terminal socket MQS ELA	0.2-0.5 MM <sup>2</sup> SN	X	<a href="#">61131393704</a>	\$0.23
--	Covering cap	4 POL.	5	<a href="#">61136925596</a>	
--	Terminal socket MQS ELA	0,5-0,75 MM <sup>2</sup> AG	X	<a href="#">61136931880</a>	

#### Notes

- ENDED = the part has been discontinued (no longer available).